

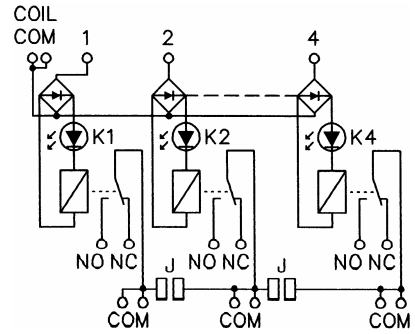
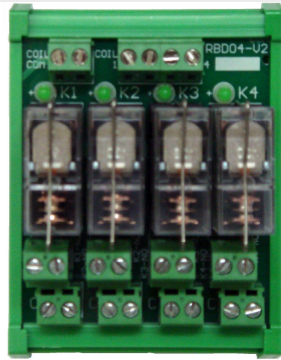
Relay Module

繼電器模組

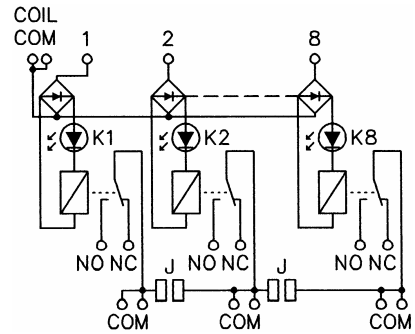
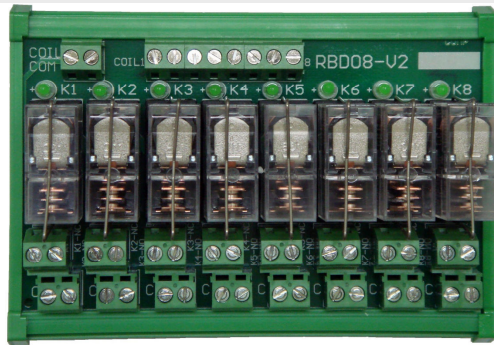
Relay Module Series are designed to be mounted on DIN Rails TS15, TS32 & TS35. RBD Relay Module can offer 1C Relay contract. Relay Coil designs to Input both anode and cathode, and with LED indicates on the Relay.

繼電器模組系列可使用在 DIN 標準的 TS-15、TS-32 及 TS-35 三種軌道。RBD 繼電器模組系列提供 1C 接點。繼電器線圈正、負電壓輸入皆可，並附 LED 動作指示。

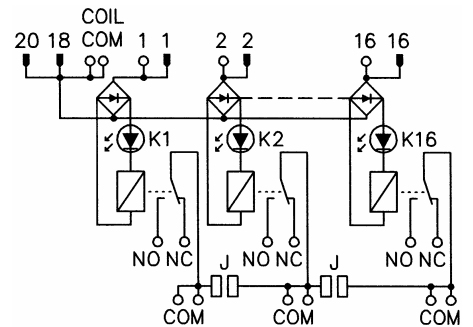
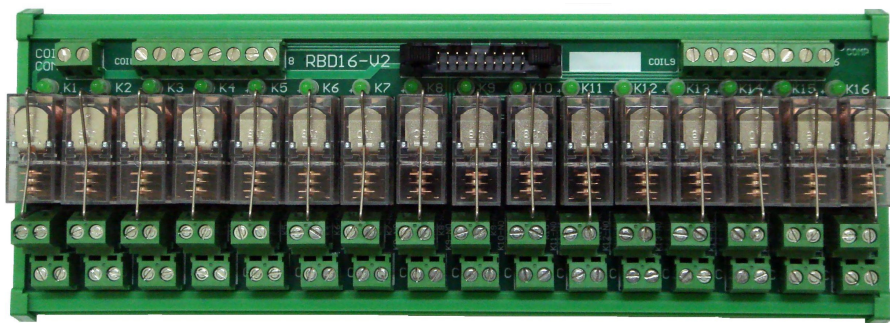
RBD04-V2



RBD08-V2



RBD16-V2



Model	RBD04-V2	RBD08-V2	RBD16-V2
Relay / 繼電器	OMRON	OMRON	OMRON
Coil Voltage / 線圈電壓	24VDC / 24VAC	24VDC / 24VAC	24VDC / 24VAC
Contact / 接點	SPDT (Form C)	SPDT (Form C)	SPDT (Form C)
NO. of Relay / 繼電器數量	4	8	16
Rated Voltage / 定格電壓	250VAC / 30VDC	250VAC / 30VDC	250VAC / 30VDC
Max. Breaking Voltage / 接點耐電壓	380VAC / 125VDC	380VAC / 125VDC	380VAC / 125VDC
Rated Current (Amp) / 定格電流	16A	16A	16A
Contact Material / 接點材質	Ag CdO	Ag CdO	Ag CdO
Dimension (L × W × H mm)	66 × 88 × 67	124 × 88 × 67	240 × 88 × 67