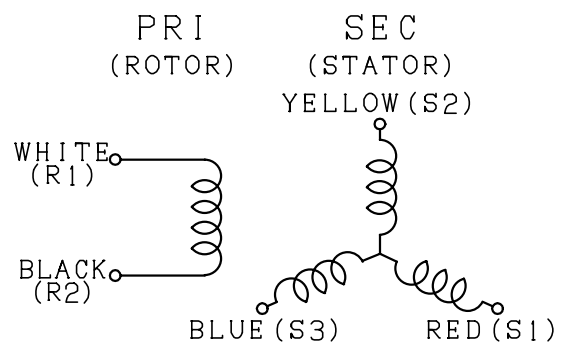


TYPE	86G1 86M1			86G2 86M2		
PRIMARY VOLTAGE (V)	100	100	110	200	200	220
FREQUENCY (Hz)	50	60	60	50	60	60
PRIMARY CURRENT (A)	0.40	0.32	0.36	0.20	0.16	0.18
SECONDARY VOLTAGE (MAX.) (V)	78	78	86	78	78	86
TORQUE GRADIENT $\frac{N \cdot m}{g \cdot cm/deg}$	3.23×10^{-3} (33)	2.45×10^{-3} (25)	2.94×10^{-3} (30)	3.23×10^{-3} (33)	2.45×10^{-3} (25)	2.94×10^{-3} (30)
INHERENT TORQUE (MAX.) $\frac{N \cdot m}{kg \cdot cm}$	2.84×10^{-1} (2.9)	2.45×10^{-1} (2.5)	2.65×10^{-1} (2.7)	2.94×10^{-1} (3.0)	2.45×10^{-1} (2.5)	2.84×10^{-1} (2.9)
ACCURACY (G) ELECTRIC ERROR	MAX. $\pm 0.5deg$					
ACCURACY (M) INDICATOR ERROR	MAX. $\pm 1.0deg$					
WEIGHT	86G□...2.3kg 86M□...2.4kg					
AMBIENT TEMPERATURE	-20~+50°C					
AMBIENT HUMIDITY	95% or less					

CONNECTION



NOTE 1. *MECHANICAL DAMPER IS PROVIDED ON RECEIVER (86M) NOT ON TRANSMITTER (86G).
NOTE 2. PAINTED IN THE MUNSEL COLOR 7.5BG2/2.

REVISIONS: d) correct Spec. fig. Mar-14-2002 M. Hagino

THIRD ANGLE DRAWING		TAKUWA CORPORATION			
DIMENSION IN					
SCALE	1/2	DRAWING TITLE SYNCHRO TRANSMITTER 86G SYNCHRO RECIEVER 86M			
DATE	FEB.-1973				
ORDER NO.		FOR 86G, 86M			
APPROVED	CHECKED	DESIGNED	DRAWN	DWG. NO.	OY4-19230 d
K. Ishigaki		Y. Ochiai	M. Hagino		